

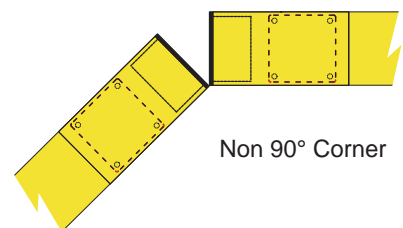
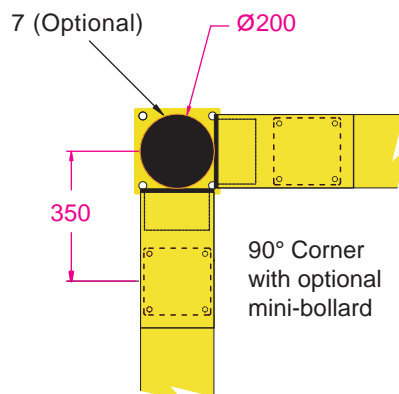
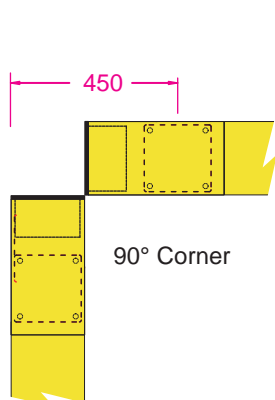
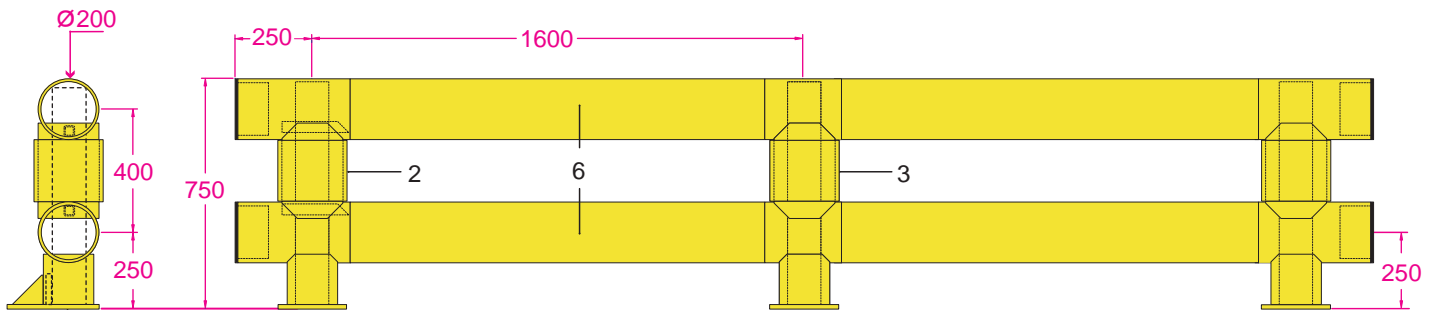
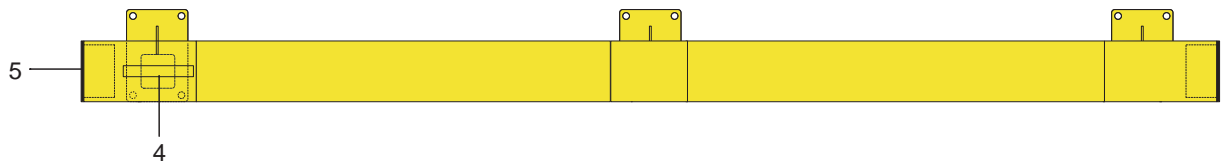
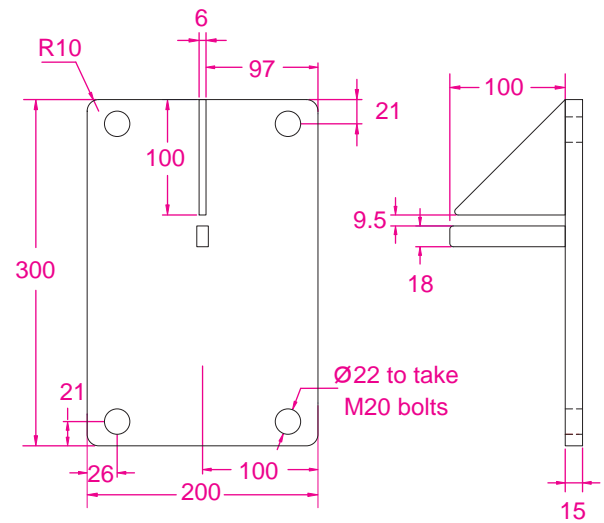


TECHNICAL INFORMATION

Heavy Duty Double Rail Traffic Barrier Dimensions

No	Part Code	Description
1		Base Plate
2	013_0002	End Post Assembly
3	013_0003	Mid Post Assembly
4		Locking Pin
5		End Cap
6	013_0020	1350mm Standard Rail Set
7	006_0002	200mm OD bollard x 1200mm high

Base Plate Footprint



Double Rail Traffic Barrier corner/direction change layout arrangements

All dimensions shown in mm