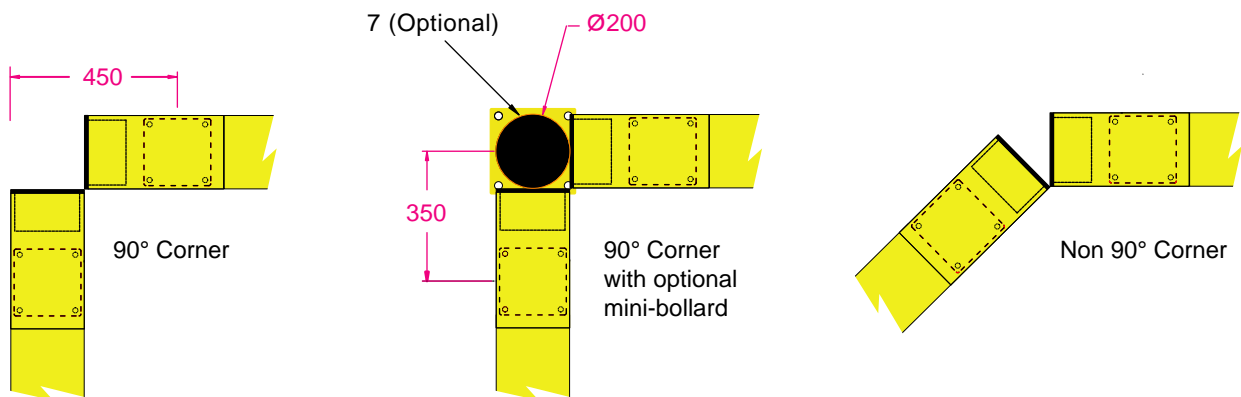
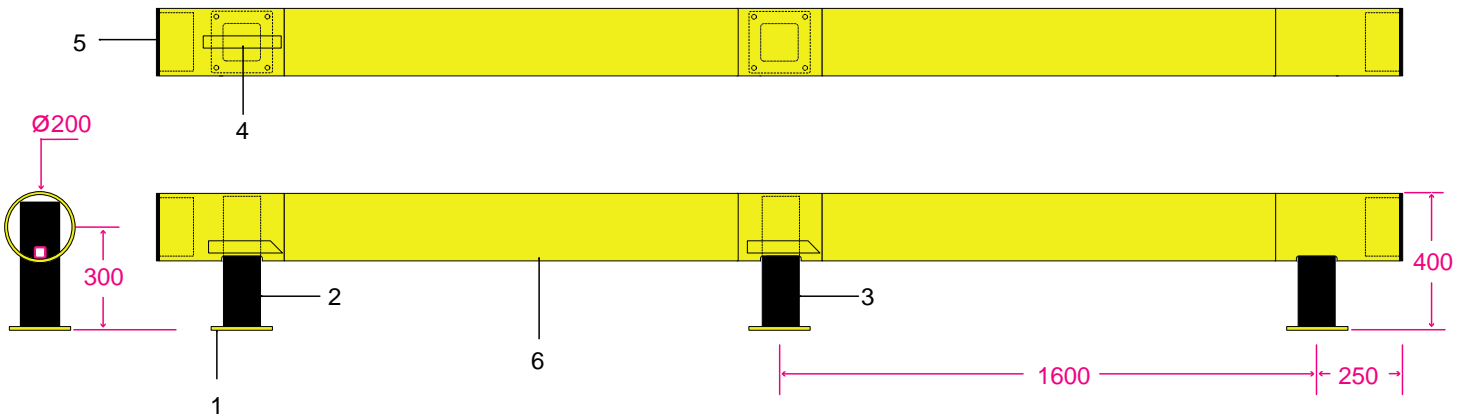
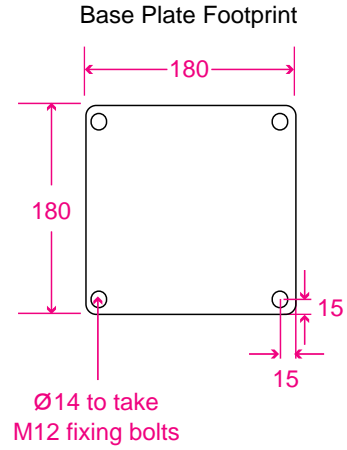




TECHNICAL INFORMATION

Traffic Barrier Dimensions

No	Part Code	Description
1		Base Plate
2	009_0002	End Post Assembly
3	009_0003	Mid Post Assembly
4		Locking Pin
5		End Cap
6	009_0020	1350mm Standard Rail
7	006_0001	200mm Bollard, 400mm high



Traffic Barrier corner/direction change layout arrangements

All dimensions shown in mm