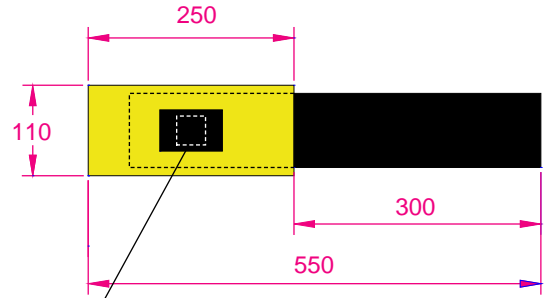




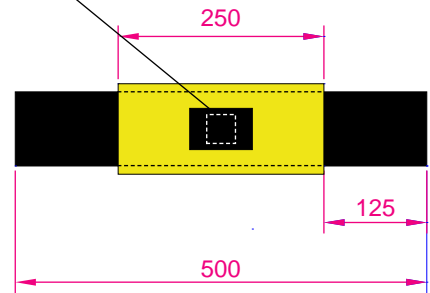
TECHNICAL INFORMATION

Vehicle Kerb/Wheel alignment Guide Dimensions

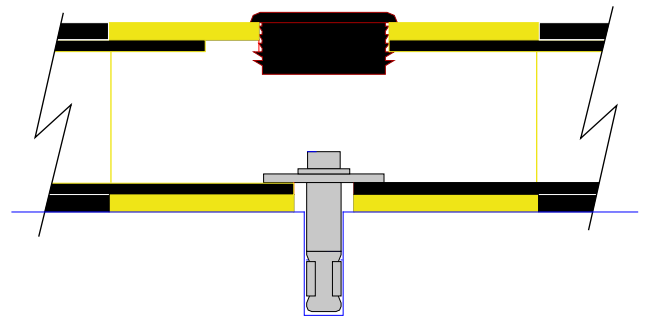
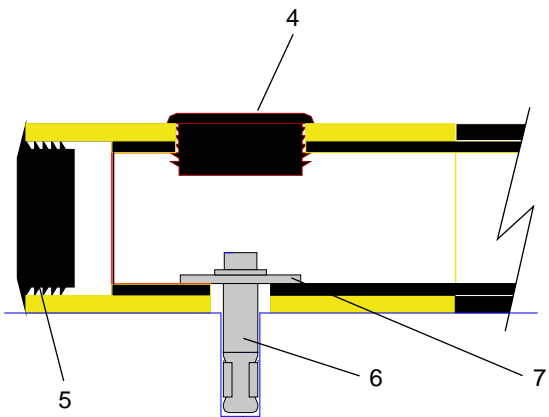
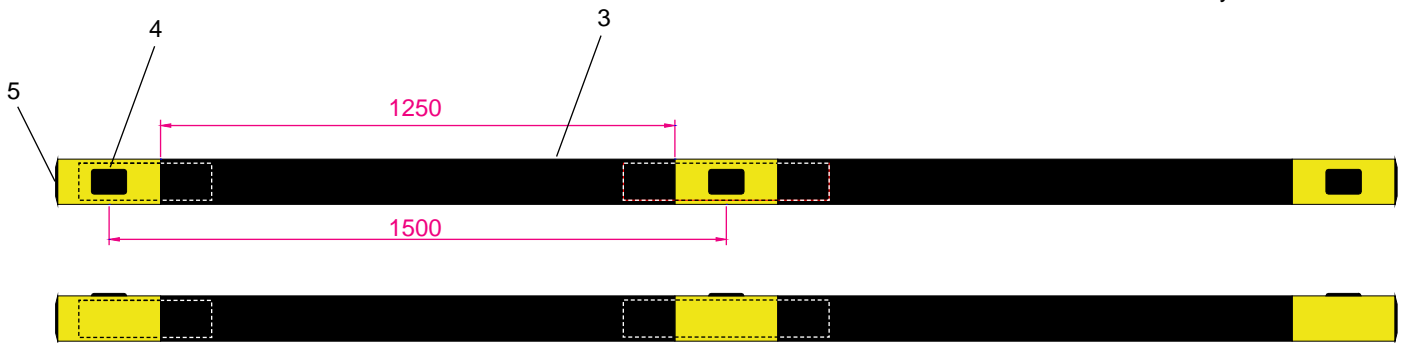
No	Part Code	Description
1	018_0002	End Rail Assembly
2	018_0003	Mid Rail Assembly
3	018_0020	Standard Rail 1250mm
4		Hole Blanking Plug
5		End Cap
6		M12 Floor Fixing Bolt
7		Kerb Fixing Plate



1 - End Rail Assembly



2 - Mid Rail Assembly



End and Mid Rail Assembly floor fixing

M12 hole drilled to a depth of 100mm