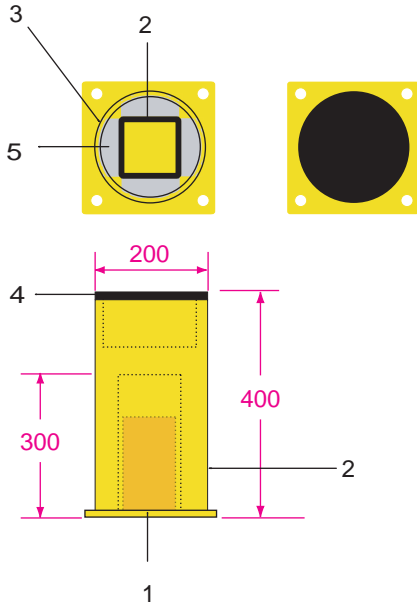


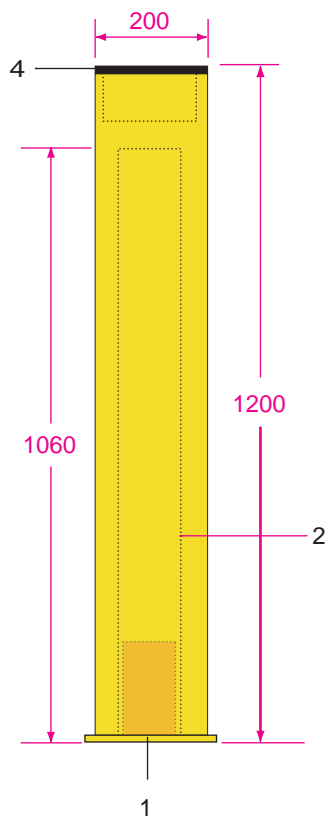


# TECHNICAL INFORMATION

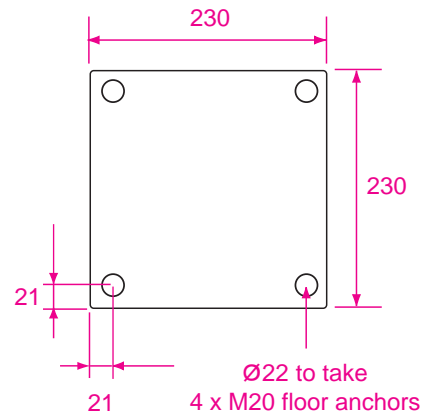
## Bollard 200mm OD Dimensions



No	Part Code	Description
	006_0001	Bollard 200mm OD x 400mm high
	006_0002	Bollard 200mm OD x 1200mm high
1		Base Plate
2		Inner Post
3		Bollard Sleeve
4		End Cap
5		Absorbing Material



Base Plate Footprint

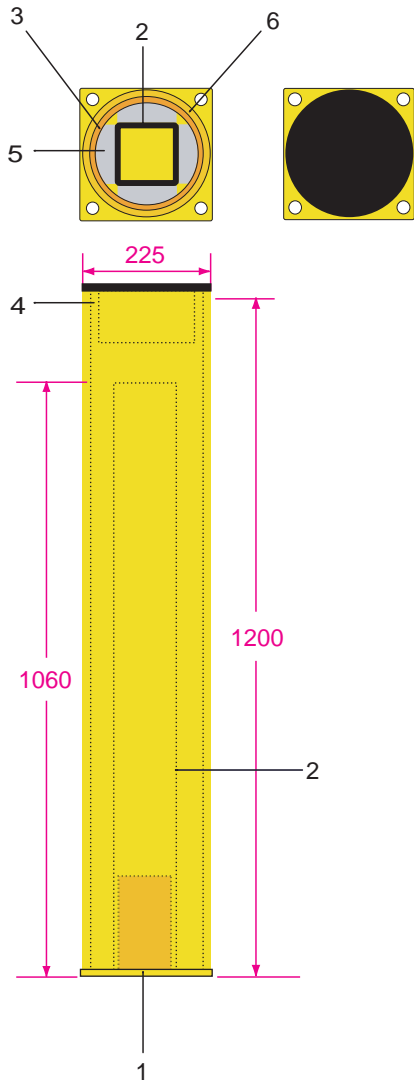


All dimensions shown in mm

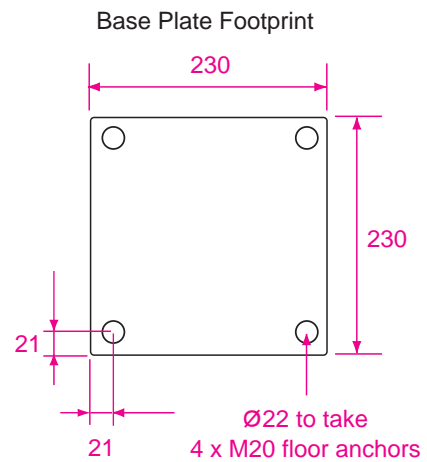


# TECHNICAL INFORMATION

## Bollard 225mm OD Dimensions



No	Part Code	Description
	006_0003	Bollard 225mm OD x 1200mm high
1		Base Plate
2		Inner Post
3		Inner Sleeve
4		End Cap
5		Absorbing Material
6		Outer Sleeve



All dimensions shown in mm