

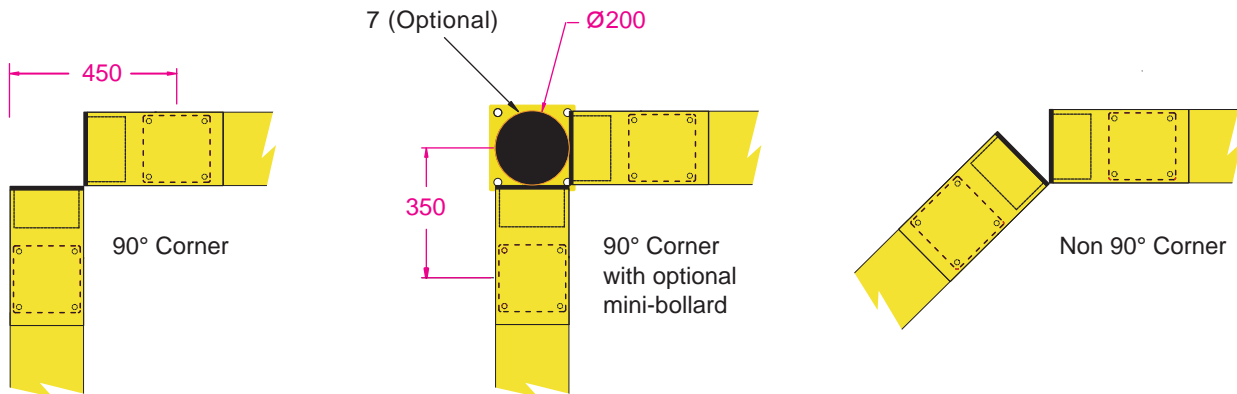
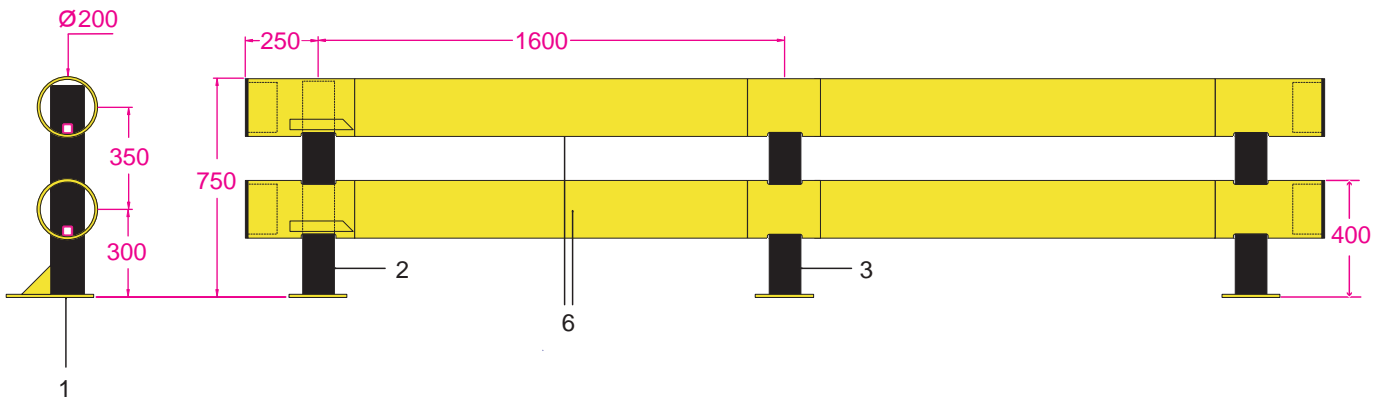
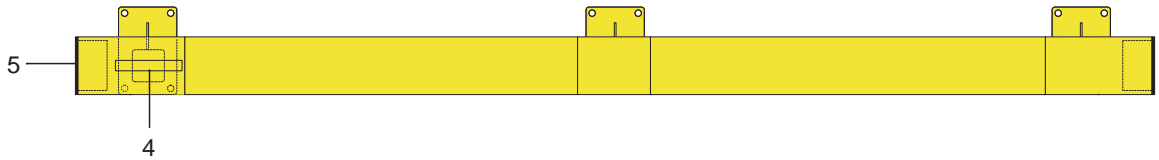
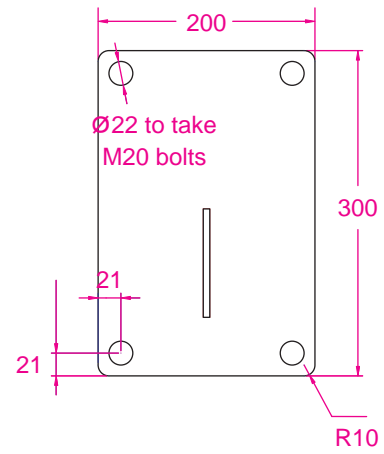


TECHNICAL INFORMATION

Double Rail Traffic Barrier Dimensions

No	Part Code	Description
1		Base Plate
2	011_0002	End Post
3	011_0003	Mid Post
4		Locking Pin
5		End Cap
6	011_0020	1350mm Standard Rail Set
7	006_0002	200mm OD bollard, 1200mm

Base Plate Footprint



Double Rail Traffic Barrier corner/direction change layout arrangements

All dimensions shown in mm