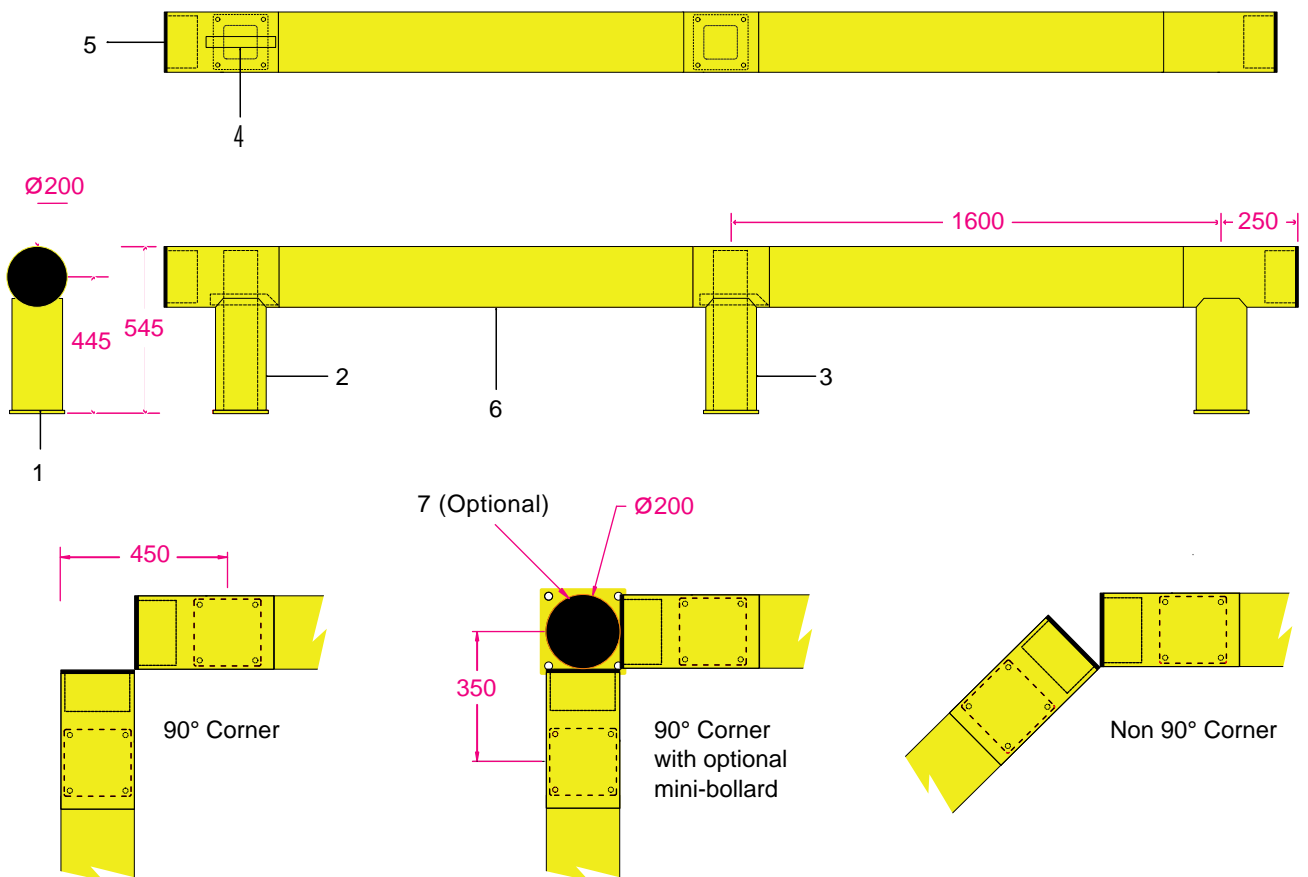
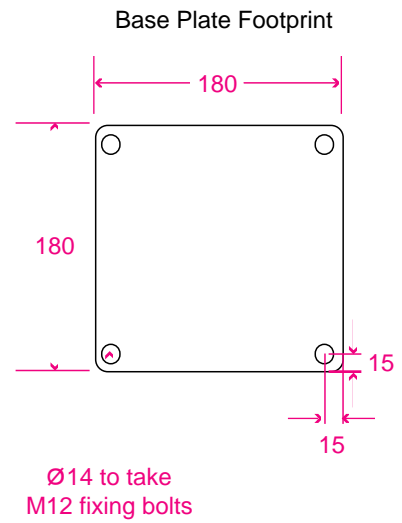


Car Park Barrier Dimensions

No	Part Code	Description
1		Base Plate
2	014_0002	End Post Assembly
3	014_0003	Mid Post Assembly
4		Locking Pin
5		End Cap
6	014_0020	1350mm Standard Rail
7	006_0001	200mm Bollard, 400mm high



Traffic Barrier corner/direction change layout arrangements

All dimensions shown in mm

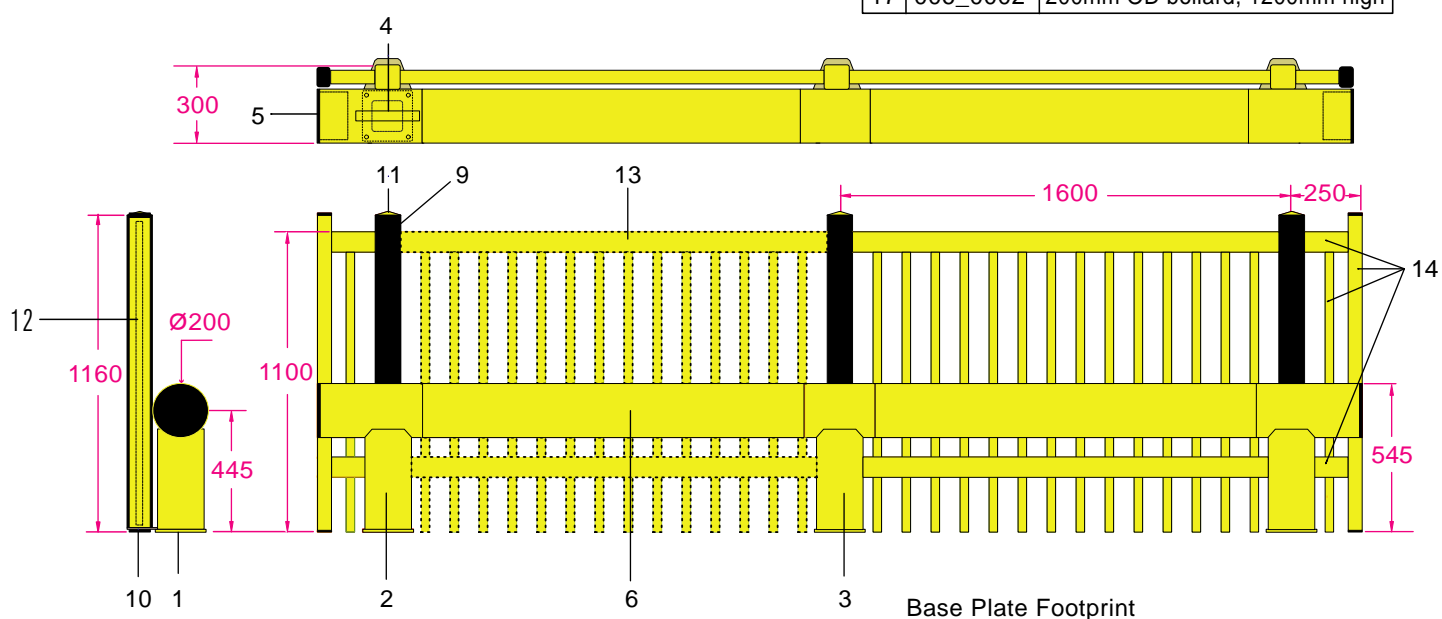
Car Park Barrier with Attachment Dimensions

CAR PARK BARRIER

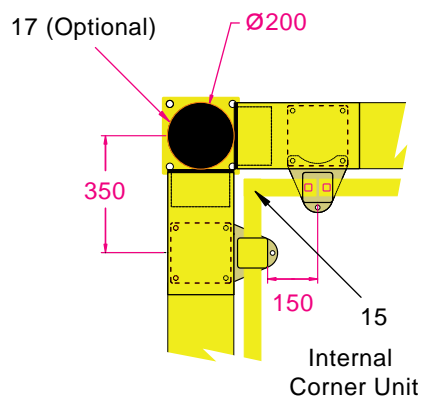
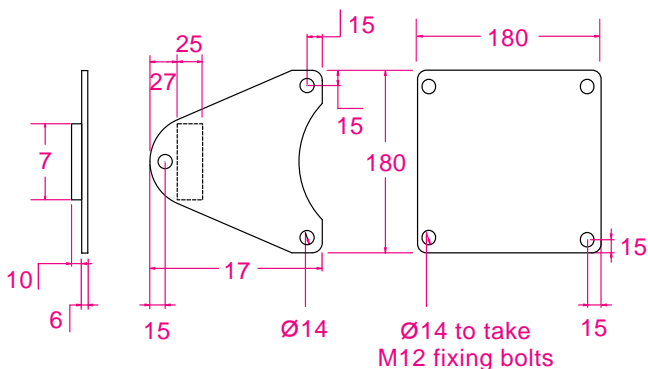
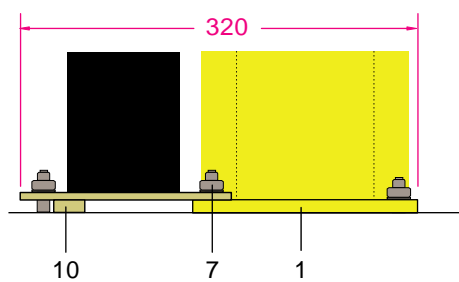
No	Part Code	Description
1		Base Plate
2	014_0002	End Post Assembly
3	014_0003	Mid Post Assembly
4		Locking Pin
5		End Cap
6	014_0020	1350mm Standard Rail
7		Base plate fixing bolt

ANTI-CLIMB ATTACHMENT

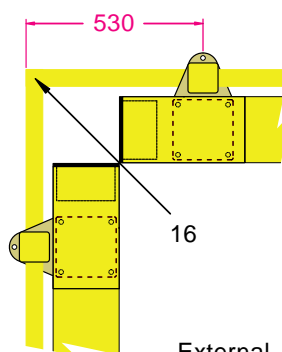
No	Part Code	Description
9	016_0002	Post </td
10		Post Mounting Bracket
11		Post End Cap
12		Locking Pin
13	016_0020	Standard anti-climb panel
14	016_0023	End anti-climb panel
15	016_0024	90° corner unit internal
16	016_0025	90° corner unit external
17	006_0002	200mm OD bollard, 1200mm high



Base Plate Footprint



Internal Corner Unit



External Corner Unit

All dimensions shown in mm