



TECHNICAL INFORMATION

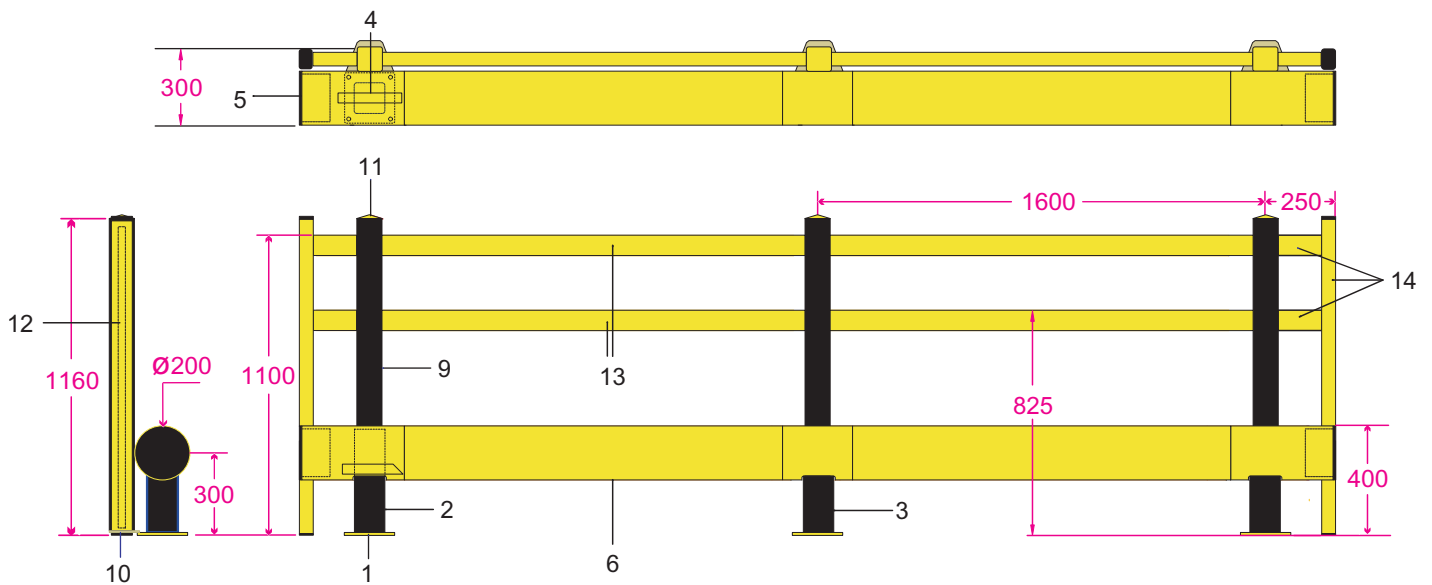
Traffic Barrier with Rail Attachment Dimensions

TRAFFIC BARRIER

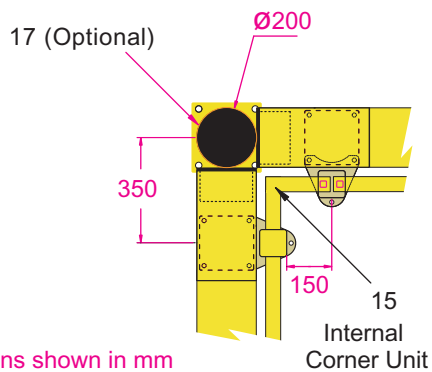
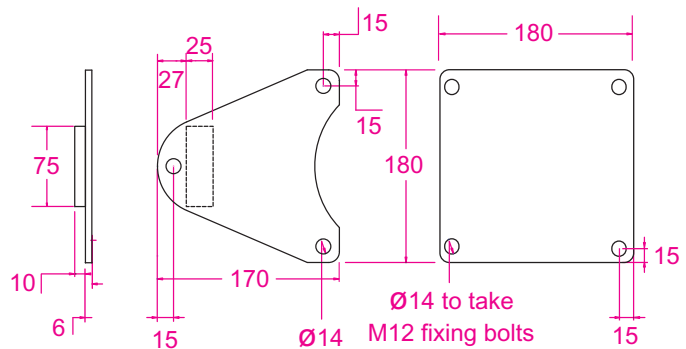
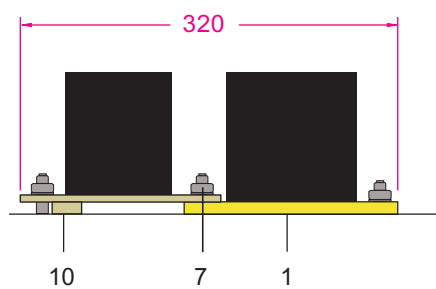
No	Part Code	Description
1		Base Plate
2	009_0002	End Post Assembly
3	009_0003	Mid Post Assembly
4		Locking Pin
5		End Cap
6	009_0020	1350mm Standard Rail
7		Base plate fixing bolt

PEDESTRIAN RAIL ATTACHMENT

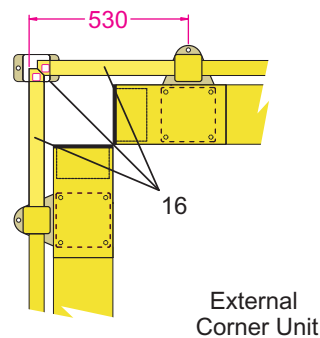
No	Part Code	Description
9	015_0002	Post
10		Post Mounting Bracket
11		Post End Cap
12		Locking Pin
13	015_0020	1600mm Rail Set (of 2)
14	015_0023	End Rail Unit
15	015_0024	90° corner unit internal
16	015_0025	90° corner unit external
17	006_0002	200mm OD bollard, 1200mm



Base Plate Footprint



All dimensions shown in mm



External Corner Unit